



国内业务



WhatsApp



WeChat



Market Consultation



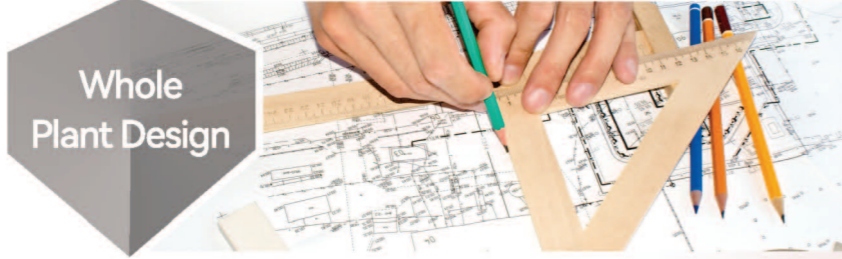
Technician Training



Know-how Transfer



Machinery



Whole Plant Design



Investment Project

Royal Technology



RT-R2R Web Vacuum Metallizer

High Throughput
High Vacuum

Paper Metallization
Film Metallization

• FREE SPAN

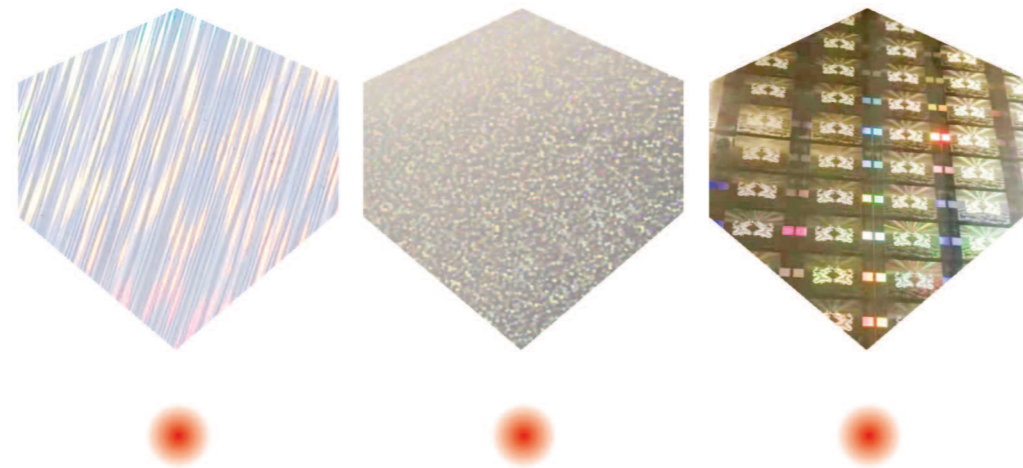
• DRUM SUPPORTED

Royal Technology



Royal Technology is a worldwide supplier of Roll to Roll web vacuum metallizing systems, which are applied in packaging, electronics, optical and flexible material industries.

Our research & development (R&D) are supported by professional engineers in the United States (Daryl Custom Technology) and the manufacturing facilities are located in Shanghai. With over 20 years experience, our high performance vacuum web metallizers can provide the types of coatings necessary for a variety of materials, like plastic films, paper and non-woven materials etc.

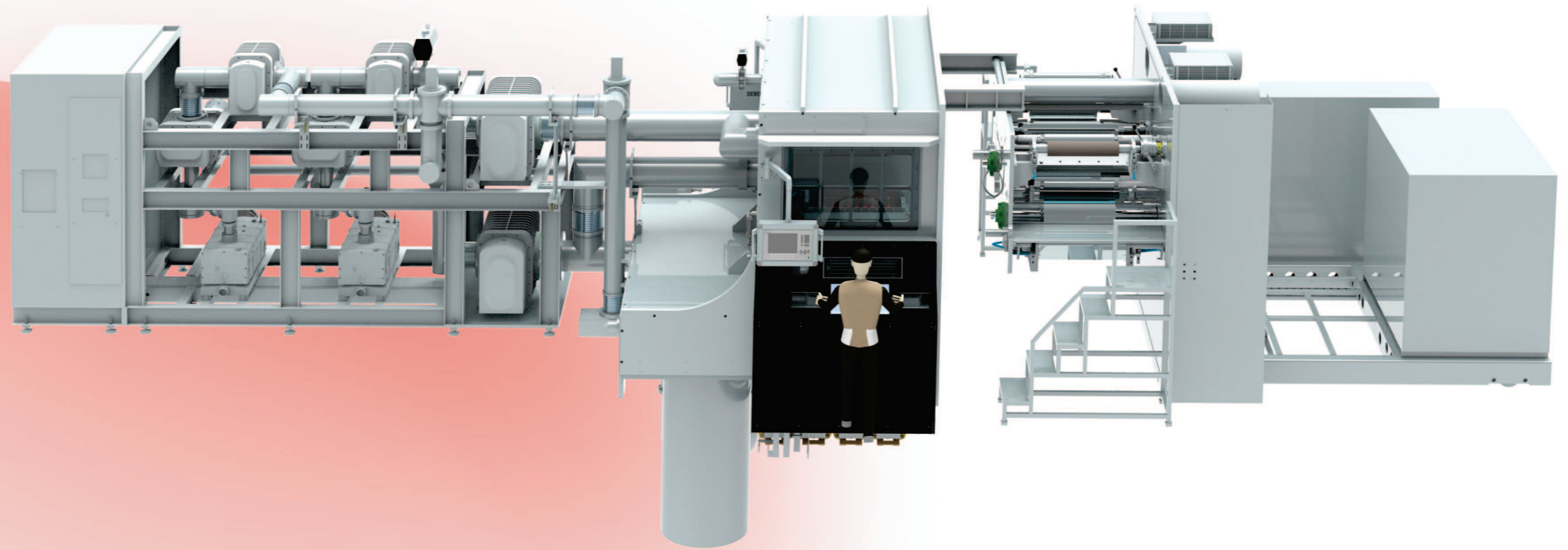


Web Coaters For Packaging Industry

Aluminum decorative coated plastic film and paper are essential in packaging applications. Royal Technology has developed some of the latest technologies that have higher productivity and lower operational costs. The new coating process avoids the heavy aluminum foil laminating, moreover, the heavy barrier (up to ONE micron thickness) metallized web is stronger and more resistant to moisture and oxidization.

Key Features

- High throughput reduces production cost
- Heavy deposition layer for high barrier application
- Free-span process eliminates the drum line and edge trim
- Friendly operation for low tension substrates like CPP, BOPP and LDPE
- Individual wire feeds
- Easy maintenance
- Precision web handling mechanism with servo motor drives for accurate control at any line speed
- Compact design for easy installation using minimal floor space.



Operation Platform

Thermal Evaporation-Wire Feeder



Double Evaporation Sources For Heavy Deposition



Planar Sputter



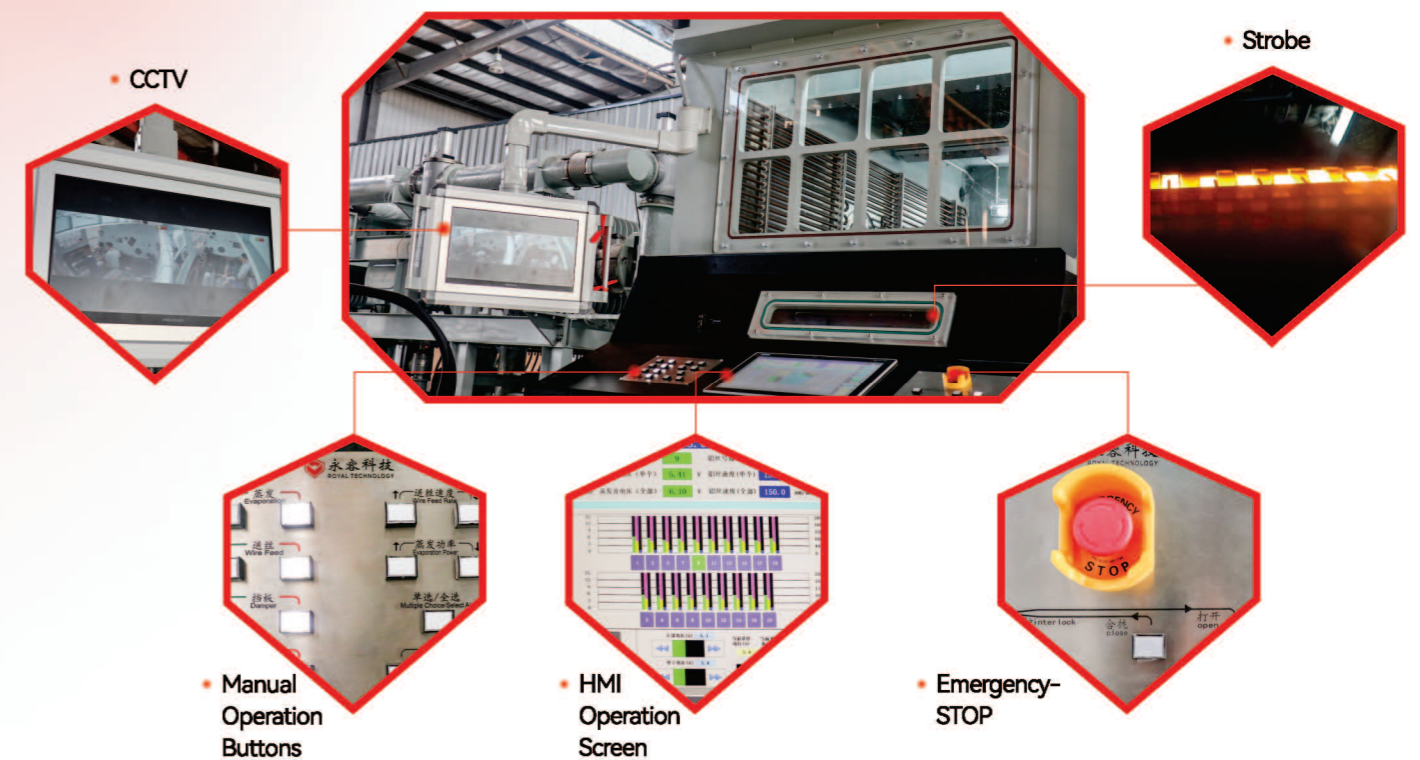
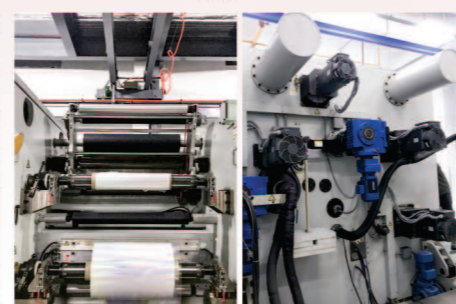
Pre-treatment Tool: Ion Source



Cooling Water Manifold



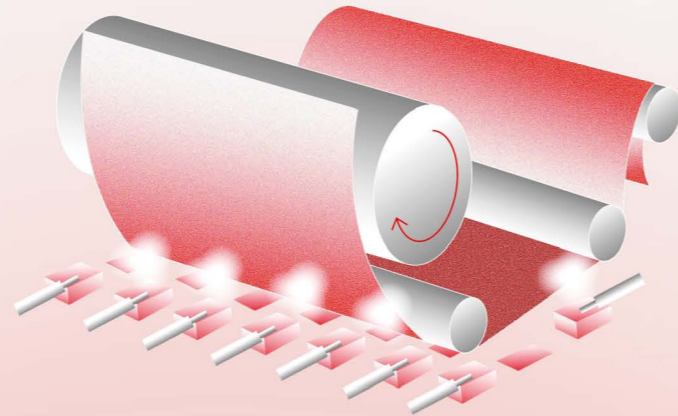
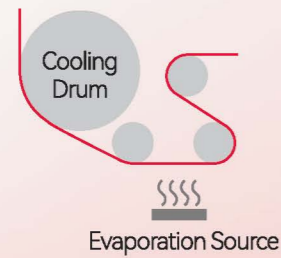
Web Drive & Winding System



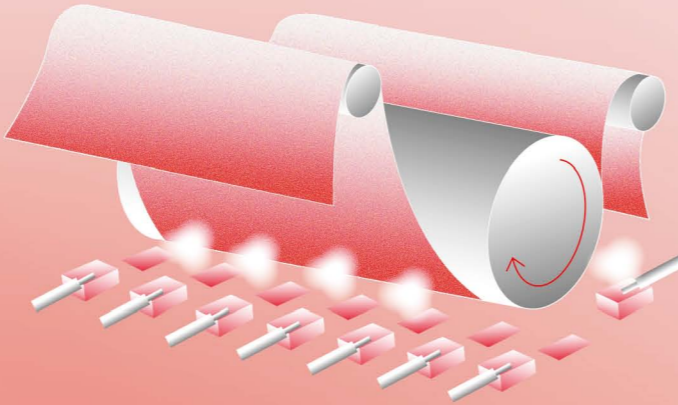
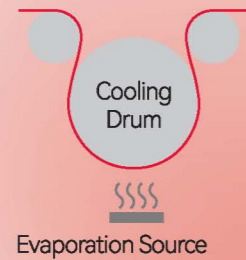
FREE SPAN &
DRUM SUPPORTED

Comparison Of Performance

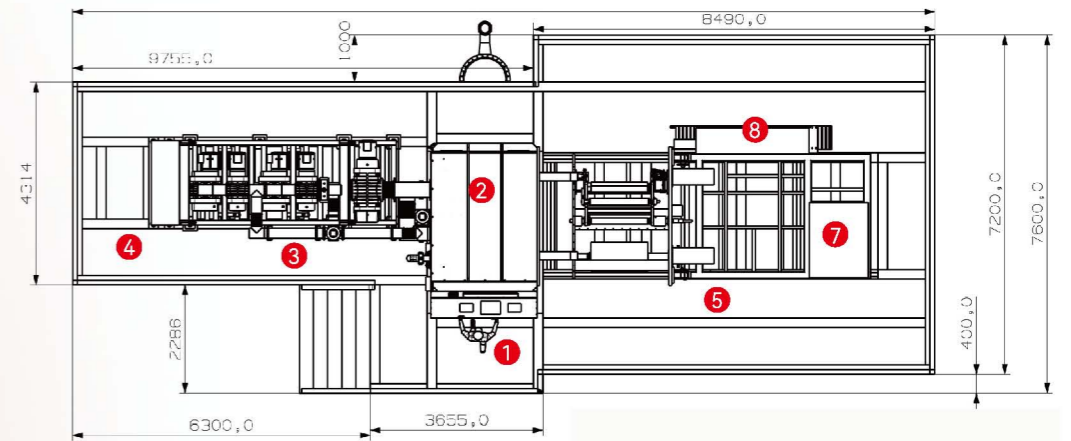
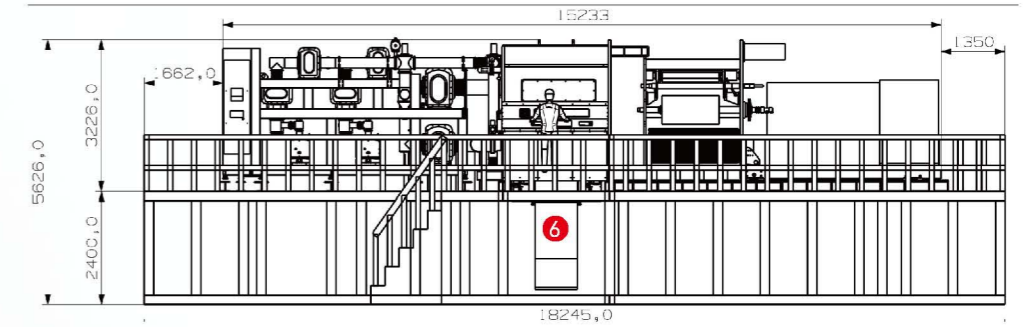
Free Span



Drum Supported



- 1# Operator Station
- 2# Process Vacuum Chamber
- 3# Rough Pump Package
- 4# -Power Distribution Cabinet
-SCR Control Cabinet
- 5# Web Drive Carriage
- 6# High Vacuum Pump
- 7# Chiller Package
- 8# Web Drive Cabinet



R2R Web Vacuum Metallizer Models

Description	R2R-600	R2R-1100	R2R-1250	R2R-1500	R2R-2200	R2R-2500
Coating Technology	Thermal or Sputtering			Thermal		
Substrate width (Max.)mm	600	1100	1250	1500	2200	2500
Roll Diameter (Max.)mm	800	1000	1000	1000	1000	1000
Core Diameter(inner)mm	3 7/8"			6"		
Coating speed (meter/second)	0.5 ~17, adjustable, depends on coating process required					
Coating Rollers Temperature (°C)	-20 to 25					
Coating Chamber Ultimate Pressure(Pa)	5*10 ⁻³					
Pumping Speed	At the condition of without loading, clean, room temperature: less than 8 mins, from atm to 7*10 ² Pa					
Pre-treatment Tool	Linear Ion Source					
Deposition Source	BN Crucible or Planar/Rotary cylinder sputtering cathode					
Deposition Material	Al, Au,Cr,Cu,Ni, NiCr, Stainless Steel, Ti, Power: 3Phase, 5wires, 380V±10%,50Hz/60Hz					
Working Environment	Cooling water: EDI, 4~6 Bar @25°C Compressed air: 5~6Bar, filtered and dried					

Content	Free Span	Drum Supported
Applied Materials	PET,OPP,CPP, PET,PVC etc.	PET, Paper and PI etc.
Coating Time	Post deposition	During deposition
Uncoated Film Edge	None	Yes
Aluminum Consumption	Low	High
Two-sides Coating	Available	Unavailable
Heavy Deposition	Good	Better
Light Deposition	Better	Good
Deposition Uniformity	Better	Good
Deposition Adhesion	Better	Good
Drum Line Control	Better	Good
Low Tension Polymer Web	Better	Good